




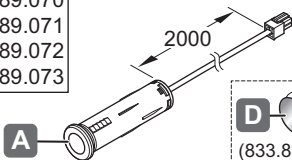


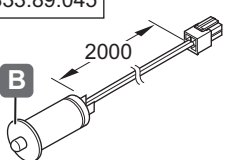


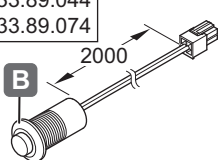
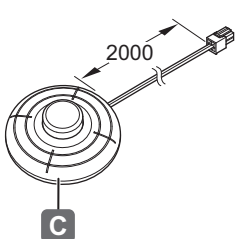
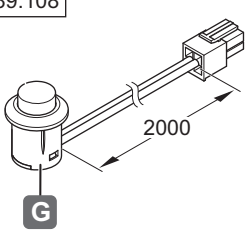
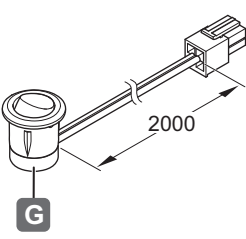
833.89.070	833.89.074	833.89.106
833.89.071	833.89.044	833.89.107
833.89.072	833.89.045	833.89.108
833.89.073	833.89.046	


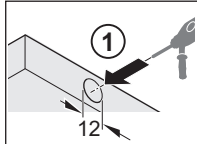
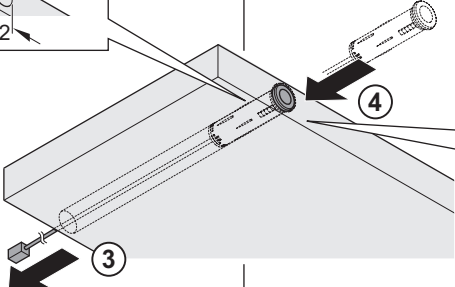


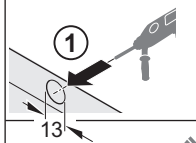
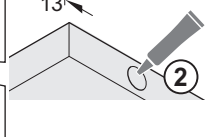
12 V System	24 V System	350 mA System	700 mA System			d (mm)	T_A		
833.89.070						0-80	-20 °C – +35 °C -4 °F – +95 °F	Ø 16 x 48.5	<div style="border: 1px solid black; padding: 2px; display: inline-block;">Loox 12 V</div> <div style="border: 1px solid black; padding: 2px; display: inline-block;">Loox 24 V</div> <div style="border: 1px solid black; padding: 2px; display: inline-block;">Loox 350 mA</div> <div style="border: 1px solid black; padding: 2px; display: inline-block;">Loox 700 mA</div>
833.89.071						0-80			
833.89.072						0-3000			
833.89.073						0-80			
833.89.044									
833.89.074									
833.89.107									
833.89.108									
833.89.045								Ø 15 x 28	
833.89.046								Ø 70 x 28	
833.89.106								Ø 15 x 17.7	

HDE 06/2015

732.28.403




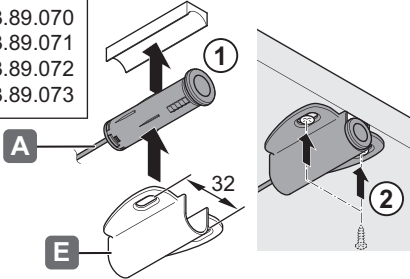
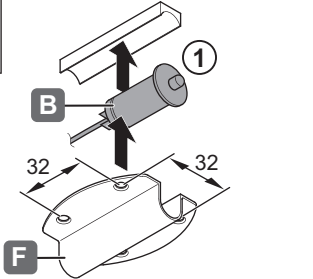
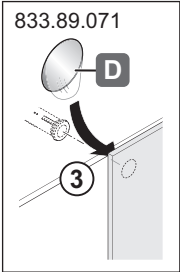
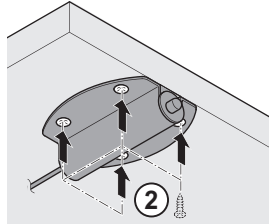






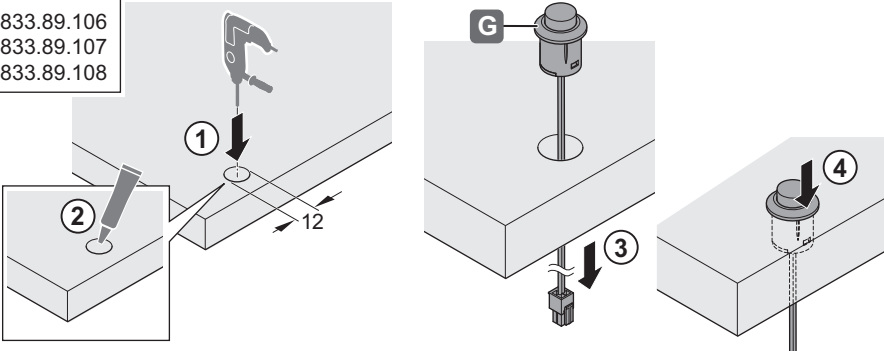
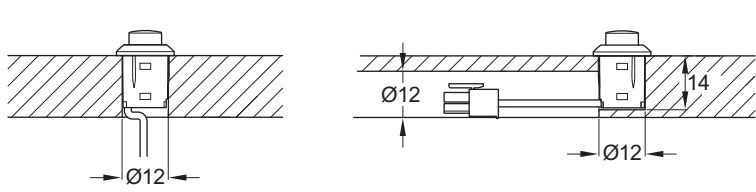
 <p>833.89.070 833.89.071 833.89.072 833.89.073</p>  <p>A</p>  <p>D Ø16 (833.89.071)</p> <p>+</p>  <p>2x E 833.89.090</p>	<p>833.89.045</p>  <p>B</p> <p>+</p>  <p>4x F 833.89.048 833.89.049</p>	 <p>833.89.044 833.89.074</p>  <p>B</p> <p>833.89.048 833.89.049</p>
<p>833.89.046</p>  <p>C</p>	<p>833.89.107 833.89.108</p>  <p>G</p>	<p>833.89.106</p>  <p>G</p>

<p>1</p>  <p>12 mm</p> <p>833.89.070 833.89.071 833.89.072 833.89.073</p>   <p>1</p> <p>4</p> <p>3</p>	 <p>13 mm</p>  <p>833.89.044 833.89.045 833.89.074</p>   <p>1</p> <p>2</p>
---	--

732.28.403

HDE 06/2015

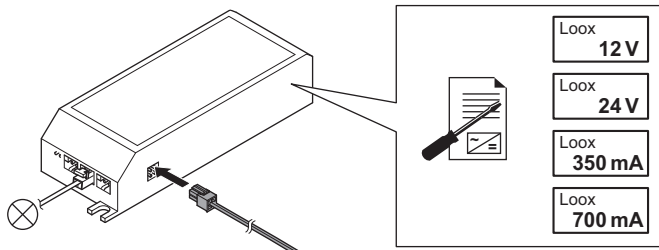
1			
<p>833.89.070 833.89.071 833.89.072 833.89.073</p>		<p>833.89.044 833.89.045 833.89.074</p>	
			
<p>833.89.071</p> 			

1				
<p>833.89.106 833.89.107 833.89.108</p>				
				
<p>i</p> 				

732.28.403

HDE 06/2015

2



732.28.403

HDE 06/2015